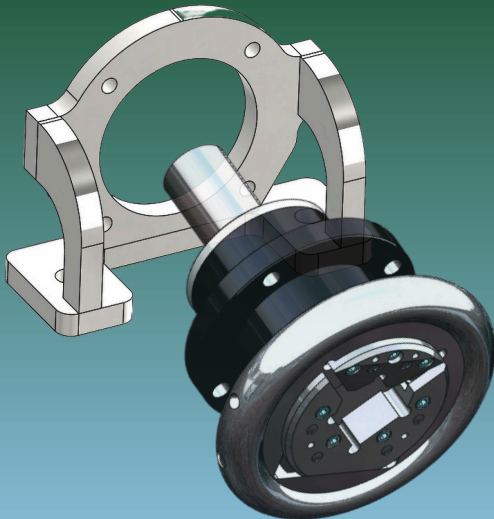




SAFETY CHUCKS

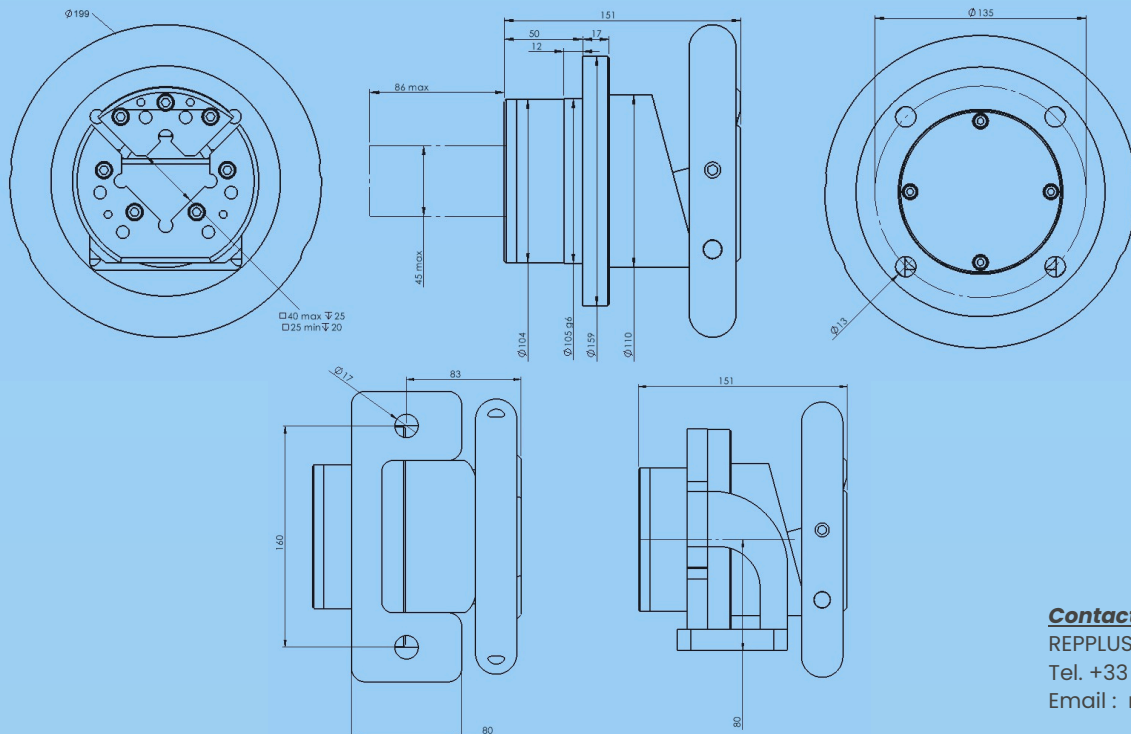
ADVANTAGES

Robust & reliable construction
 High permissible torque
 High-quality materials
 & anti-corrosion treatment as standard
 Supports up to 1600 Kg



RANGE

Foot or flange version
 With or without shaft end
 Inserts : square 25-40mm
 or triangle 25-35mm
 Optional hardening of the inserts



Contact us :

REPPLUS

Tel. +33 3 26 03 69 60

Email : repplus@wanadoo.fr